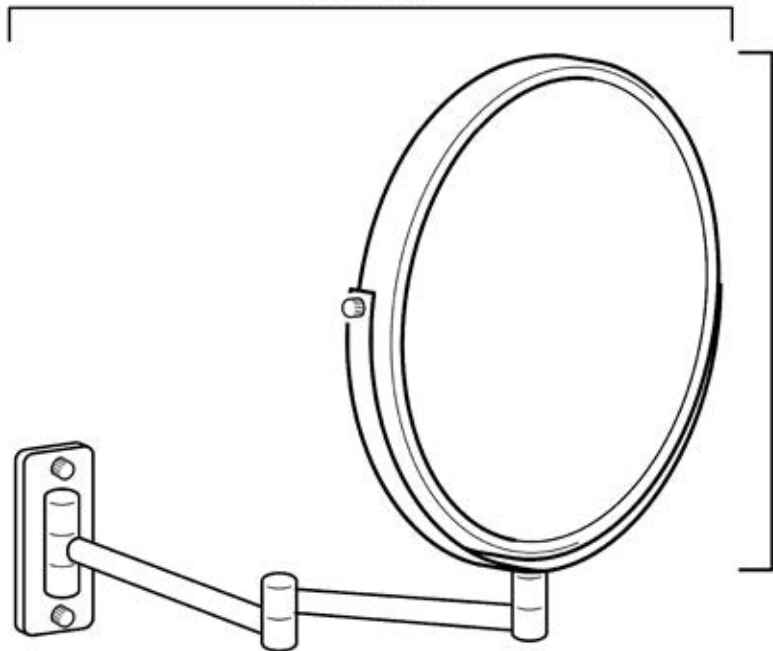


330 mm



200 mm